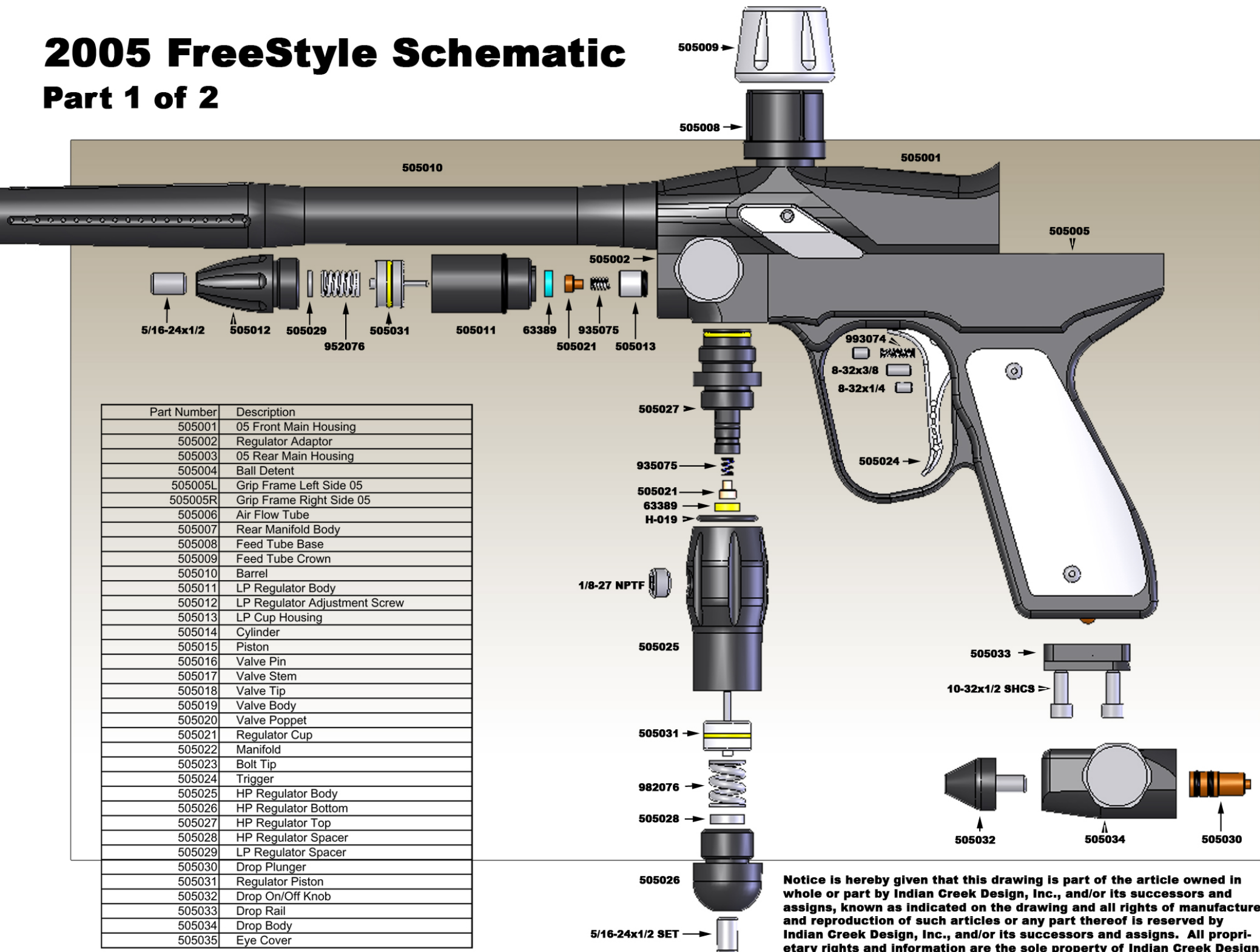


# 2005 FreeStyle Schematic

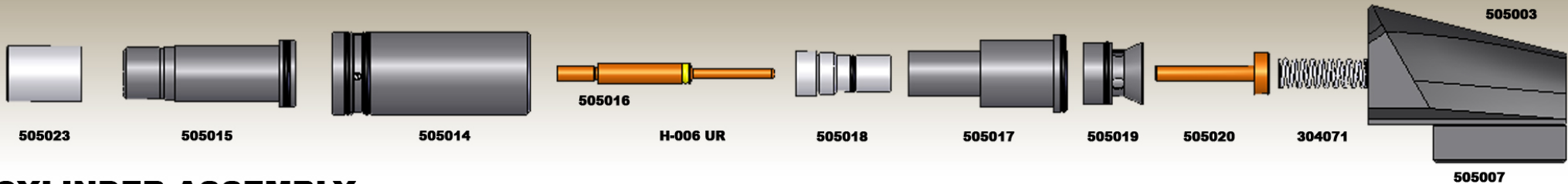
## Part 1 of 2



Notice is hereby given that this drawing is part of the article owned in whole or part by Indian Creek Design, Inc., and/or its successors and assigns, known as indicated on the drawing and all rights of manufacture and reproduction of such articles or any part thereof is reserved by Indian Creek Design, Inc., and/or its successors and assigns. All proprietary rights and information are the sole property of Indian Creek Design, Inc., and/or its successors and assigns.

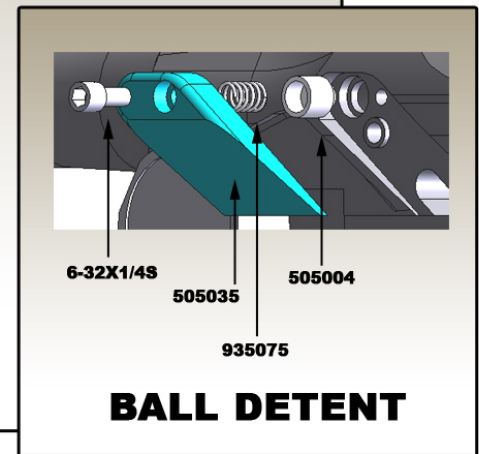
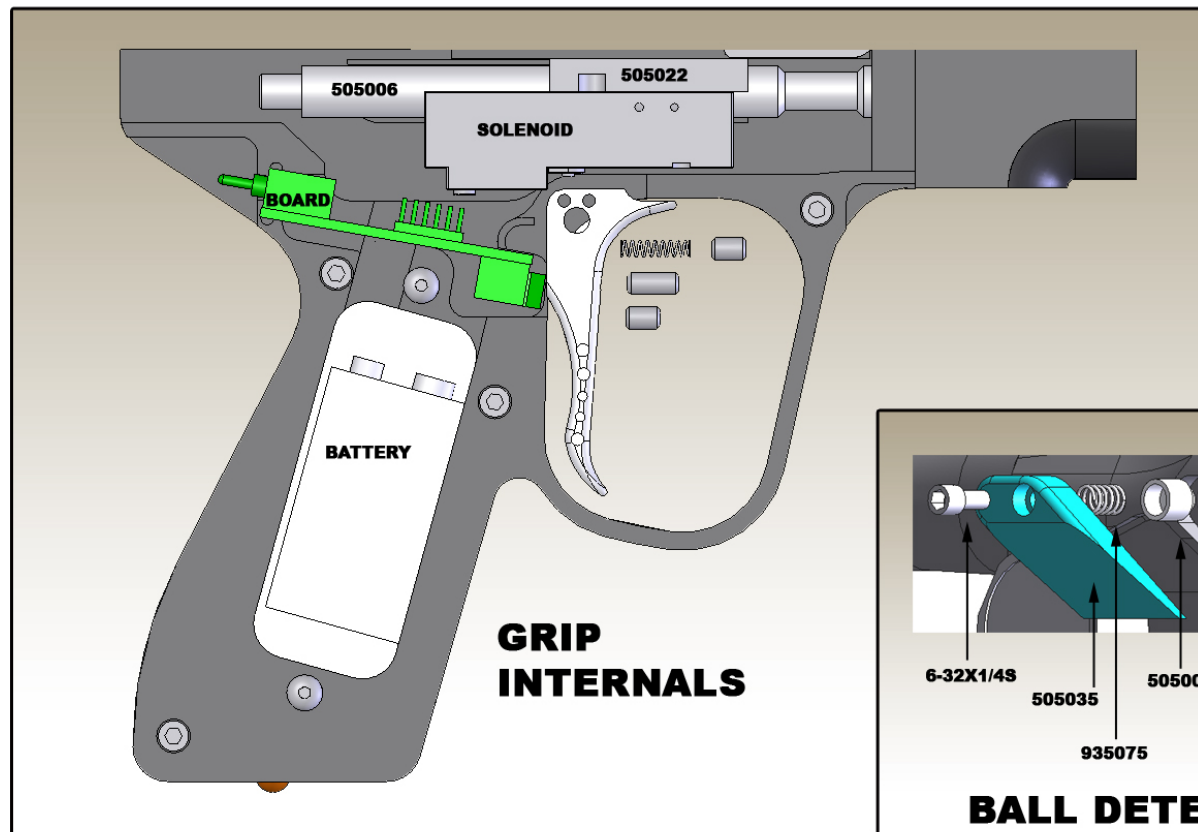
# 2005 FreeStyle Schematic

## Part 2 of 2



### CYLINDER ASSEMBLY

Part Number	Description
505001	05 Front Main Housing
505002	Regulator Adaptor
505003	05 Rear Main Housing
505004	Ball Detent
505005L	Grip Frame Left Side 05
505005R	Grip Frame Right Side 05
505006	Air Flow Tube
505007	Rear Manifold Body
505008	Feed Tube Base
505009	Feed Tube Crown
505010	Barrel
505011	LP Regulator Body
505012	LP Regulator Adjustment Screw
505013	LP Cup Housing
505014	Cylinder
505015	Piston
505016	Valve Pin
505017	Valve Stem
505018	Valve Tip
505019	Valve Body
505020	Valve Poppet
505021	Regulator Cup
505022	Manifold
505023	Bolt Tip
505024	Trigger
505025	HP Regulator Body
505026	HP Regulator Bottom
505027	HP Regulator Top
505028	HP Regulator Spacer
505029	LP Regulator Spacer
505030	Drop Plunger
505031	Regulator Piston
505032	Drop On/Off Knob
505033	Drop Rail
505034	Drop Body
505035	Eye Cover



Notice is hereby given that this drawing is part of the article owned in whole or part by Indian Creek Design, Inc., and/or its successors and assigns, known as indicated on the drawing and all rights of manufacture and reproduction of such articles or any part thereof is reserved by Indian Creek Design, Inc., and/or its successors and assigns. All proprietary rights and information are the sole property of Indian Creek Design, Inc., and/or its successors and assigns.